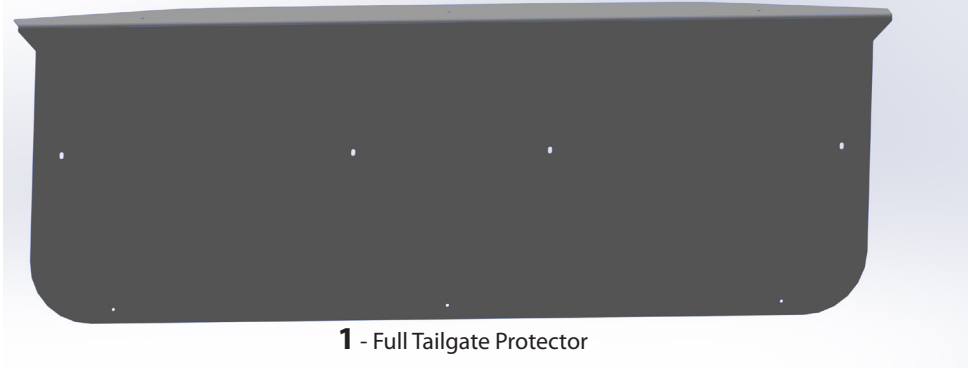


# Full Tailgate Protector

## Installation Instructions

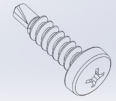
# 919

Ford F-150 2018 - 2019

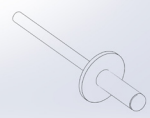


1 - Full Tailgate Protector

6 - #10 X 3/4"  
Self Tapping  
Sheetmetal Screws



6 - 3/16" x 9/16"  
Aluminum Rivets



**\*May include extra hardware.**

**Note: Completely read instructions before beginning installation!**

1. Remove contents from the box and check for missing pieces or damage. If parts are missing or damaged, please contact the original place of purchase.
2. Open the factory tailgate and remove the (4) Torx bolts across the middle area of the tailgate from the lower edge of the tailgate panel insert.
3. Place the Full Tailgate Protector on the tailgate as shown in Fig. 1, where it is snug to the top edge of the tailgate and centered from side to side (Hint: The slotted holes in the Full Tailgate Protector should be lined up with the holes from the previously removed Torx bolts.)
4. Re-install the Torx bolts until snug. (These locations are marked with a 1 in Fig. 1)

**\*\*If using Sheetmetal Screws to secure the Full Tailgate Protector go to step 5A\*\***  
**\*\*If using Rivets to secure the Full Tailgate Protector go to step 5B\*\***

- 5A. Starting with the top edge of the tailgate, screw (3) sheetmetal screws into the (3) top holes. Next, screw the remaining (3) sheetmetal screws into the lower inside tailgate holes. (These locations are marked with a 2 in Fig. 1)
- 5B. Starting with the top edge of the tailgate, using a 3/16" drillbit and the Full Tailgate Protector as a template, drill a hole through the (3) top holes. Next, using a rivet gun, fasten the top edge of the tailgate using (3) of the 3/16" x 9/16" rivets. Next repeat this process for the (3) lower inside tailgate holes. (These locations are marked with a 2 in Fig. 1)

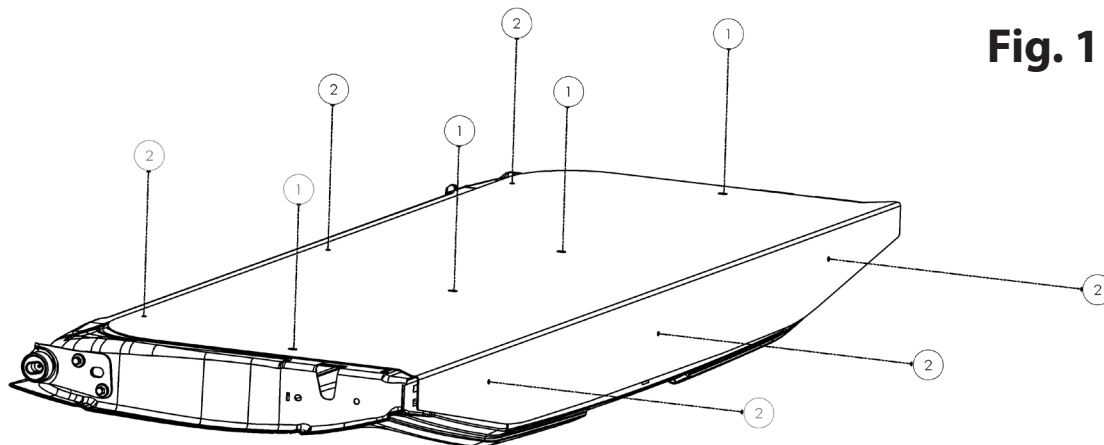


Fig. 1

