

Stainless Steel Dually Mud Flap Set

Installation Instructions

S70764SET

Dodge Ram Dually
'03 - '15

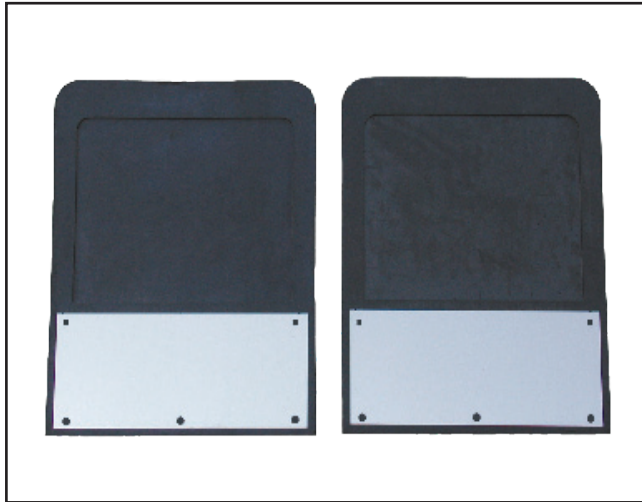


Diagram 1

Parts List:

2 - Mud Flaps	4 - 1/4" Fender Washers
2 - Stainless Steel Weights	4 - 1/4" Nylon Lock Nuts
10 - 1/4" x 1" Nylon Push Rivets	*May include extra hardware.
6 - 5/16" x 1" Bolts	
6 - 5/16" Fender Washers	
6 - 5/6" Nylon Lock Nuts	
4 - 1/4" x 3/4" Carriage Bolts	

Note: Completely read instructions before beginning installation!

1. Remove the contents from the box and check for missing pieces or damage. If parts are missing or damaged, contact the original place of purchase.
2. Center the Stainless weight between the square corners of the flap and on the inset side(not smooth) of the flap. The recommended weight position is shown in **Diagram #1 and #2**. Mark the mud flap where the (5) holes in the stainless weight are. Set the stainless weight to the side. Use a 3/8" drill bit to drill holes in the just marked spots on the mud flap.
3. Place the stainless weight back on to the mud flap. Place (1) 1/4" carriage bolt through the (2) upper square holes in weight and holes drilled in each mud flap. Place (1) 1/4" fender washer and (1) 1/4" nylon lock nut onto each of the bolts. Place (1) of the 5/6" bolts into each of the (3) holes in the weight and drilled holes in the bottom of the mud flap. Place (1) 5/16" fender washer and (1) 5/16" nylon lock nut onto each of the 5/16" bolts. Tighten all bolts at this time. Bolt placement is illustrated in **Diagram #2**. Repeat this operation for both mud flaps and weights.
4. Place the mud flap at the desired height in the rear inner fender well with the two round corners on the top and the diamond plate facing the rear of the truck.
5. This step will require the use of a 1/4" drill bit. While referring to **Diagram #3**, hold a mud flap in place and drill (4) holes through the mud flap and plastic inner fender panel, in a square shape. Drill (1) more hole directly in the middles of the previous (4). Make sure the flap is in the desired position and level. Take into consideration when the truck is loaded down in rear, it may lower the rear of it some, which can cause the flaps to contact the ground if placed too low. Sometimes the rubber flap will not drill clean hole, and will need to have the holes reamed with the drill bit to fit the rivets in.
6. Place (1) Plastic rivet into each of the (5) holes drilled through the mud flap and inner fender. Push the pin in the center of the rivet in all the way into the rivet, making sure it locks in.
7. Repeat the above steps for the opposite side mud flap installation.

Stainless Steel Dually Mud Flap Set

Installation Instructions

S70764SET

Dodge Ram Dually
'03 - '14

S70764SET Stainless Plate

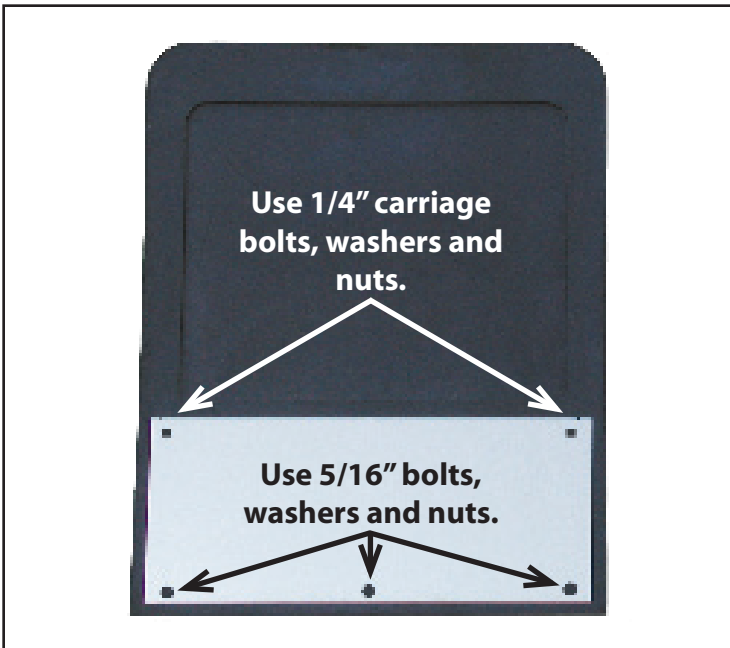


Diagram 2

70764 Mud Flap Installed

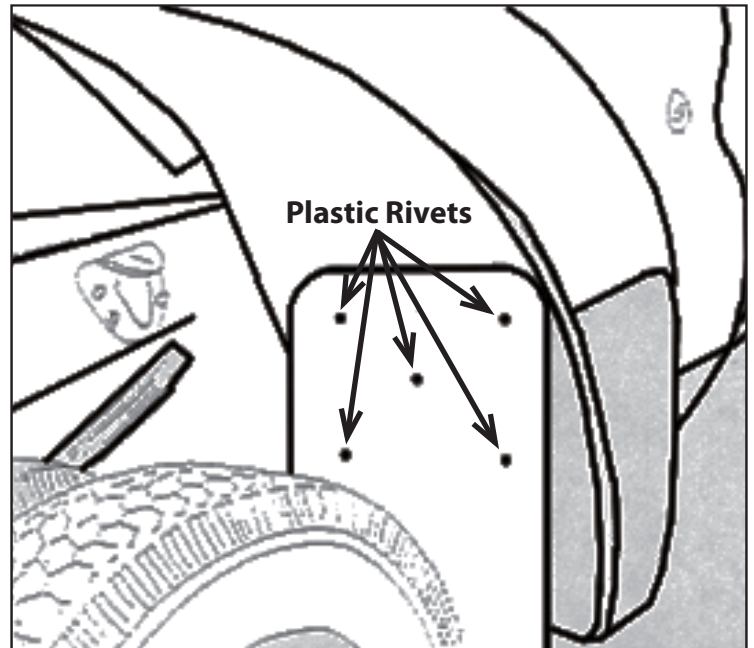


Diagram 3